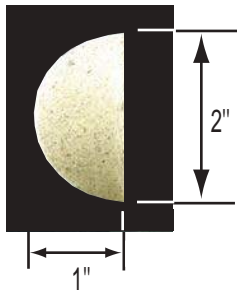
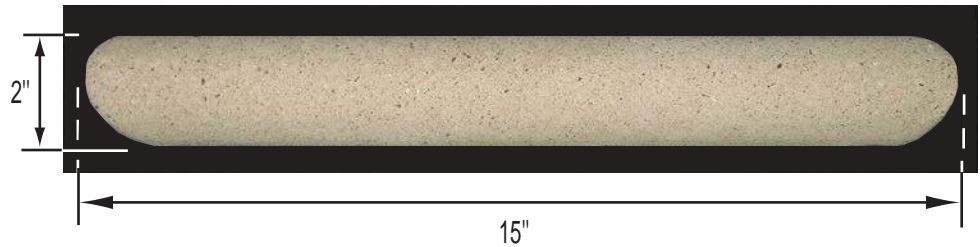


Product Catalog

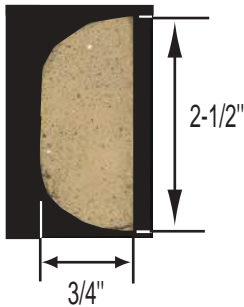
MD-215, 234, 346



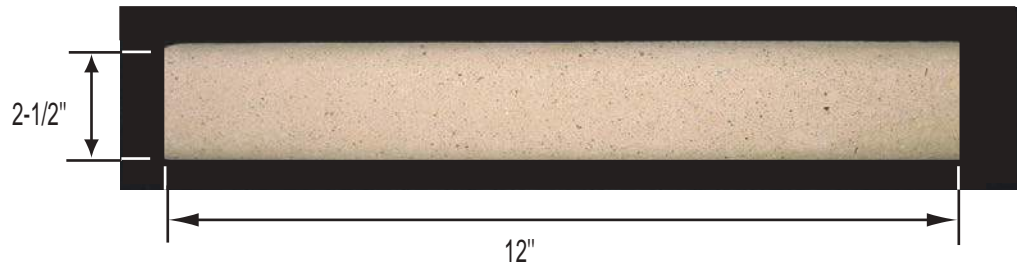
MD-215
Side View



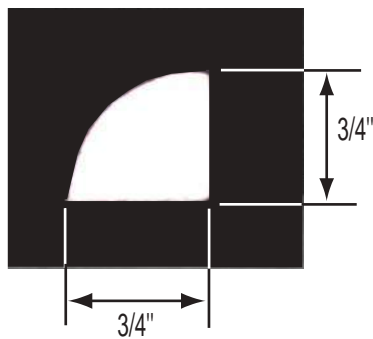
MD-215



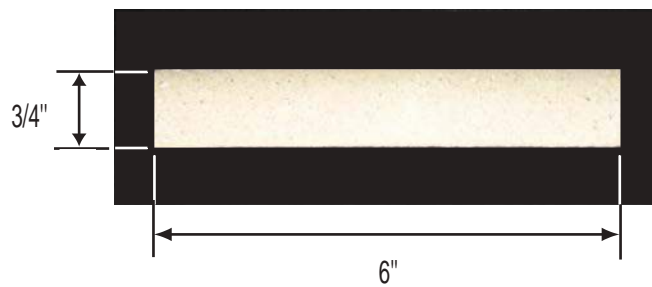
MD-234
Side View



MD-234



Side View
MD-346



MD-346

Product Code & Description	WT.
MD-215S Straight Molding 2" W x 1" TH x 15" L	2 lbs.
MD-234 Straight Molding 2-1/2" W x 3/4" TH x 12" L	2 lbs.
MD-346 Quarter Round Molding 3/4" W x 3/4" TH x 6" L	1 lbs.