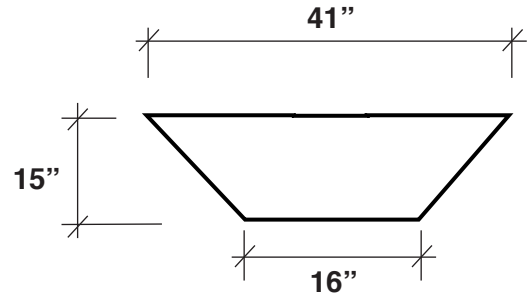
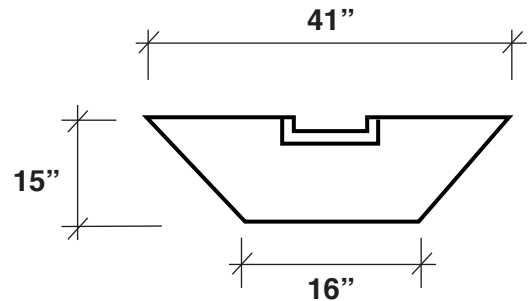


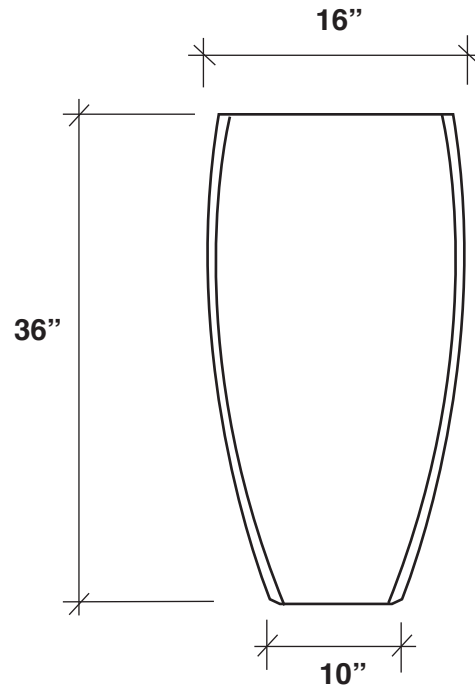
PT-1541 & PT-3616



PT-1541



PT-1541 W/SPILL



PT-3616

NOTE: INCLUDES WATERPROOFING AND 3" DRAIN HOLE

PART #	DESCRIPTION	WT.
PT-1541	15" H X 41" SQ. (16" BASE)	240 LBS
PT-1332	36" H X 16" SQ. (10" BASE)	240 LBS