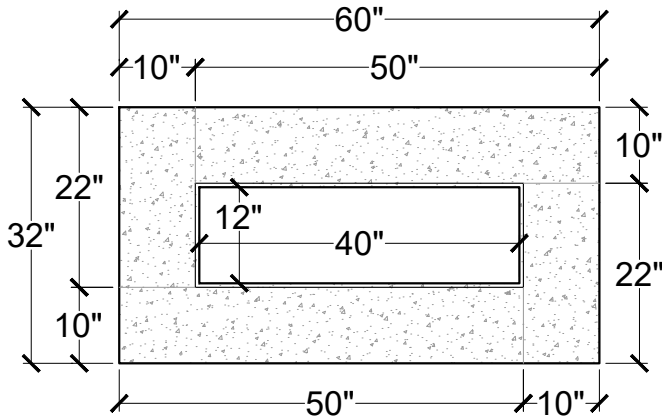
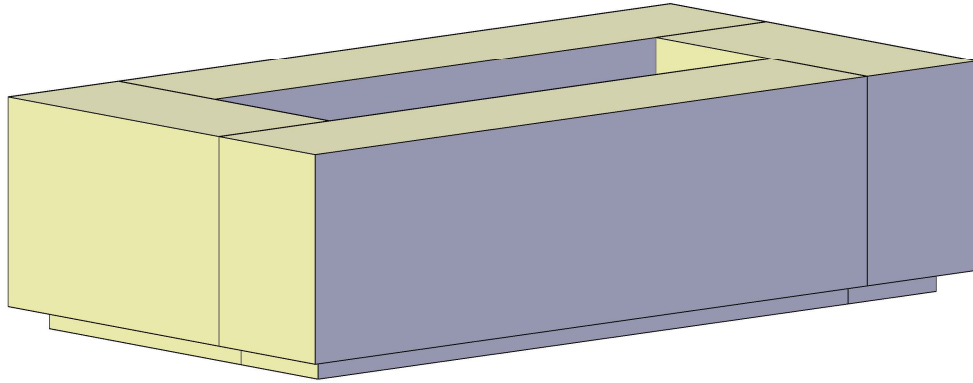
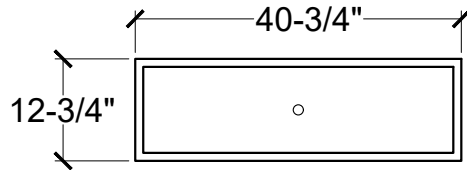


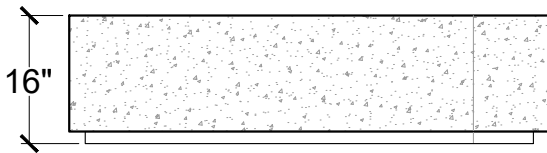
CUBIX 60



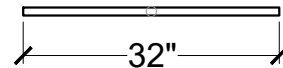
TOP VIEW



PAN SS 12-3/4" x 40-3/4"



SIDE VIEW



**BURNER SS 32"
BTU: 100,000**

* 50 LBS GLASS

* NO BLOCK REQUIRED

ONLY USE LAVA ROCK OR FIRE GLASS

GAS VALVE INCLUDED
INSTALL ON 4" SLAB

SS PAN, BURNER, FLEX HOSE, FIREGLASS SOLD SEPARATELY

Product	Description	Weight
CUBIX - 60	4 PCS 60" SQ. x 16" HEIGHT	480