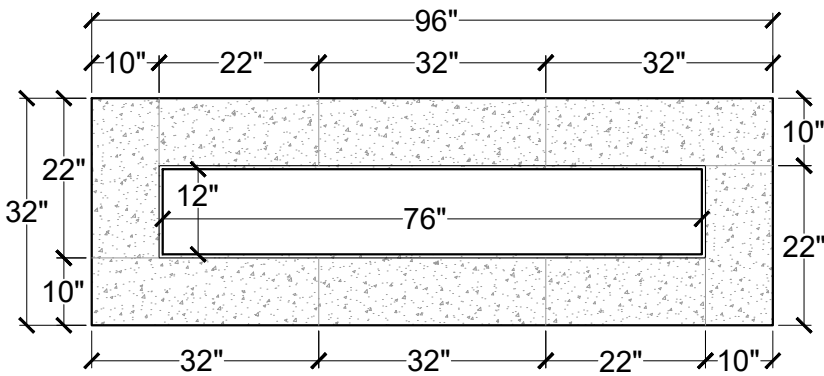
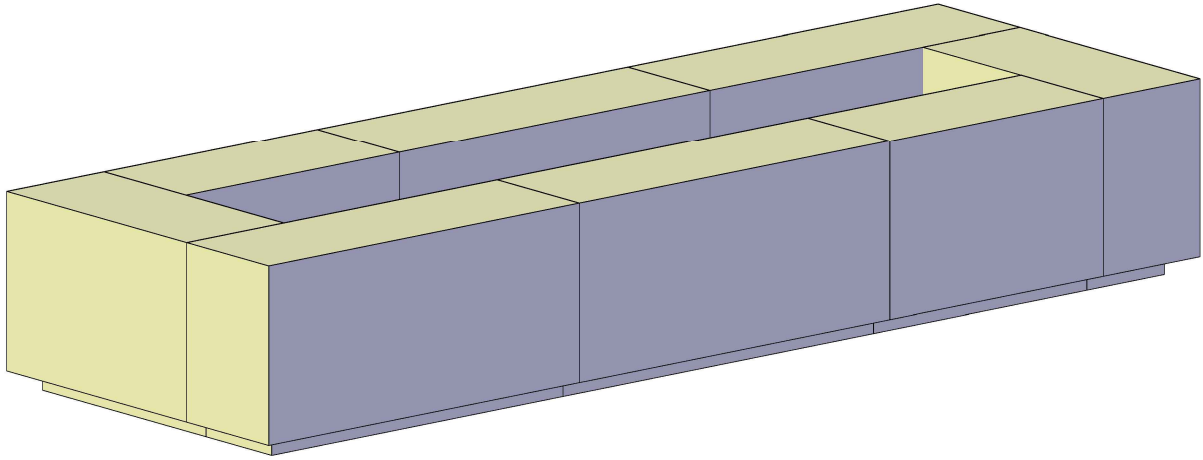
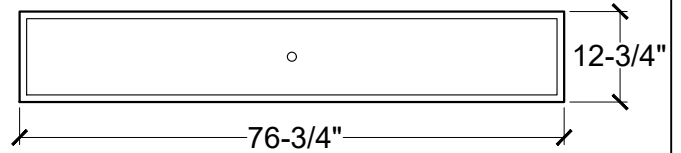


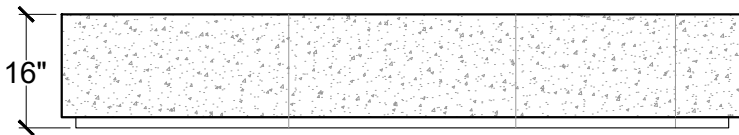
CUBIX 96



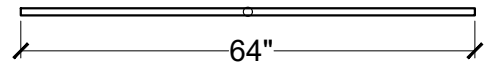
TOP VIEW



PAN SS 12-3/4"x76-3/4"



SIDE VIEW



BURNER SS 64"
BTU: 220,000

* 90 LBS GLASS

* NO BLOCK REQUIRED

ONLY USE LAVA ROCK OR FIRE GLASS

GAS VALVE INCLUDED
INSTALL ON 4" SLAB

SS PAN, BURNER, FLEX HOSE, FIREGLASS SOLD SEPARATELY

Product	Description	Weight
CUBIX - 96	8 PCS 32" x 96" x 16" HEIGHT	980 LBS