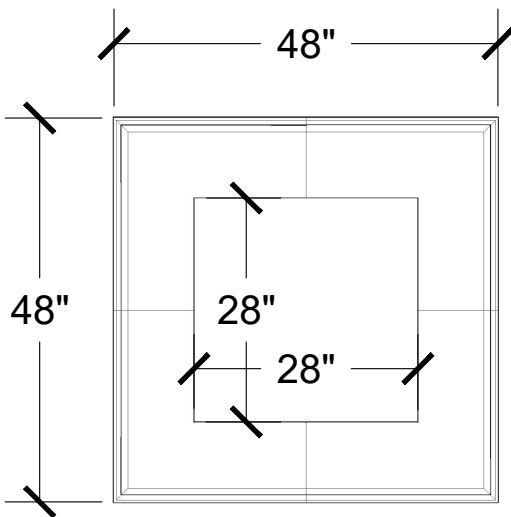
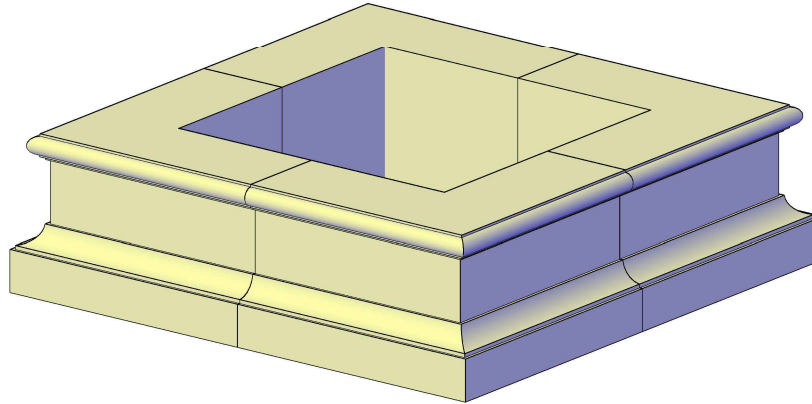
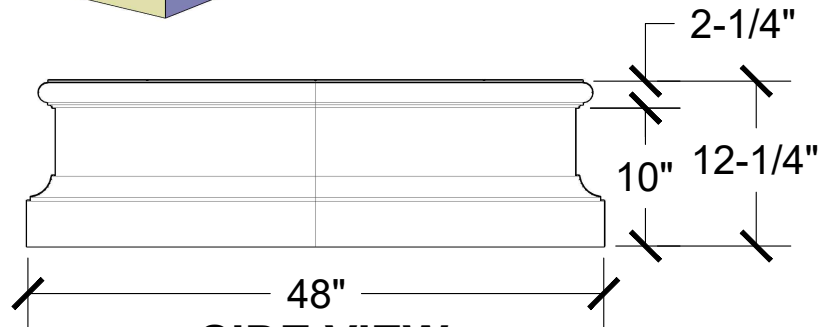


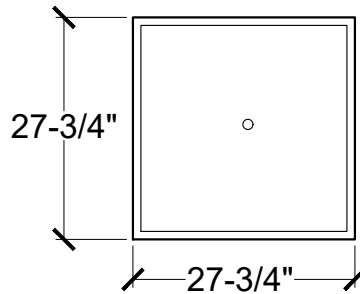
# SOLANA Fire Pit - 48



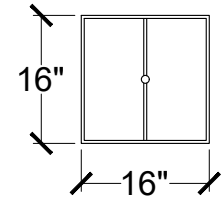
**TOP VIEW**



**SIDE VIEW**



**PAN SS 27-3/4"**  
**70 LBS GLASS**



**BURNER SS 16" SQ**  
**BTU 180,000**

\* NO BLOCK REQUIRED

**ONLY USE LAVA ROCK OR FIRE GLASS**

INCLUDES GAS VALVE  
INSTALL ON 4" SLAB

Product	Dimensions	Weight
<b>FIREPIT - 48SQ</b>	<b>SQUARE FIRE PIT KIT 28" SQ. ( I.D. ) 48" SQ. BASE</b>	<b>580</b>
4 BF-1010C	BASE CORNER 10" B x 10" TH x 23 - 7/8" L	90
4 ST-720-9C	CAP CORNER 8-1/2" B x 2-1/4" TH x 23 - 7/8" L	55
<b>OPTIONS</b>	<b>( USE TO CREATE RECTANGLES )</b>	
BF-1010S	BASE STRAIGHT 10" B x 10" TH x 23 - 7/8" L	56
ST-720-9S	CAP STRAIGHT 8-1/2" B x 2-1/4" TH x 23 - 7/8" L	41