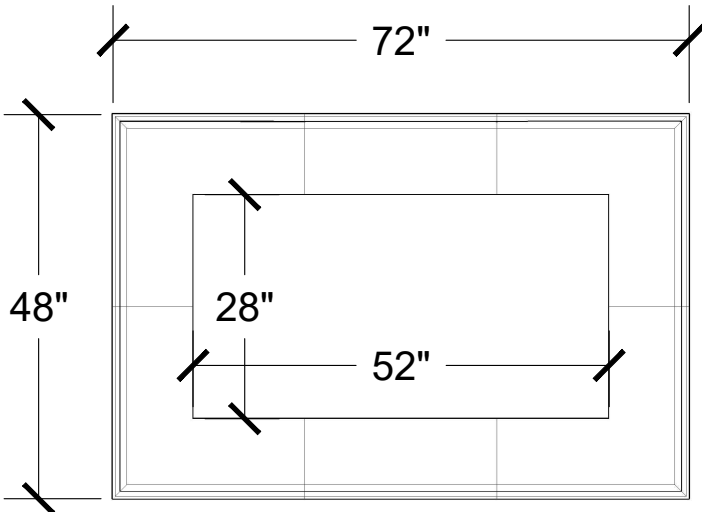
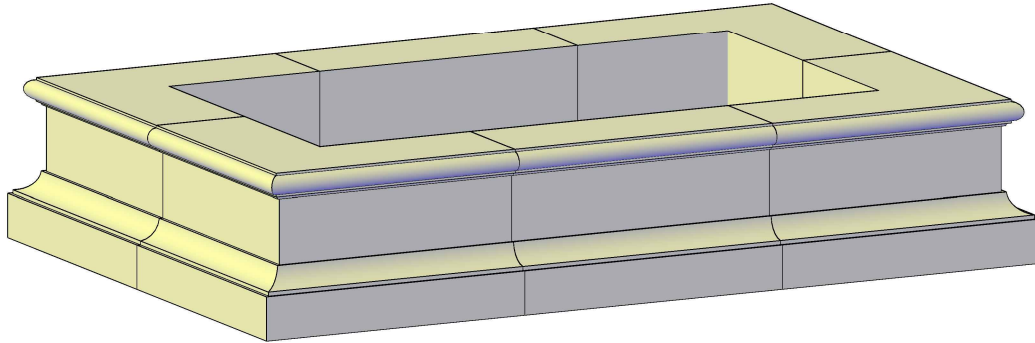
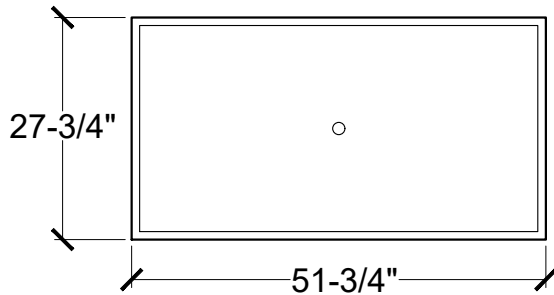


# SOLANA Fire Pit - 72

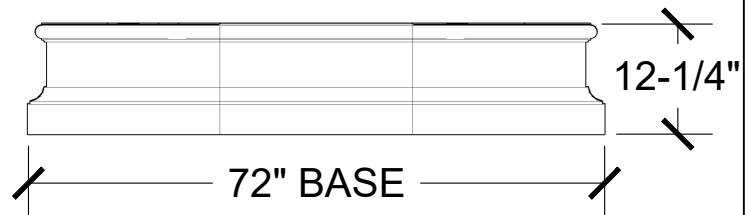


**TOP VIEW**

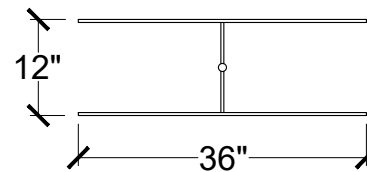
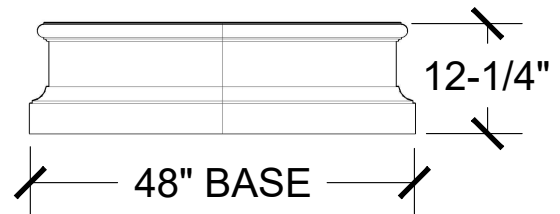


**PAN SS 51 3/4" x 27-3/4"**  
**140 LBS GLASS**

**RT SIDE VIEW**



**LT SIDE VIEW**



**BURNER SS 12" x 36"**  
**BTU 240,000**

\* NO BLOCK REQUIRED

**ONLY USE LAVA ROCK OR FIRE GLASS**

INCLUDES GAS VALVE  
INSTALL ON 4" SLAB

Product	Dimensions	Weight
<b>SOLANA FP-72</b>	<b>RECT FIRE PIT KIT 28" x 52" ( I.D. ) 72" x 48" SQ. BASE</b>	<b>774</b>
(4) BF-1010C	BASE CORNER 10" B x 10" TH x 23 - 7/8" L	90
(4) ST-720-9C	CAP CORNER 8-1/2" B x 2-1/4" TH x 23 - 7/8" L	55
(2) BF-1010S	BASE STRAIGHT 10" B x 10" TH x 23 - 7/8" L	56
(2) ST-720-9S	CAP STRAIGHT 8-1/2" B x 2-1/4" TH x 23 - 7/8" L	41