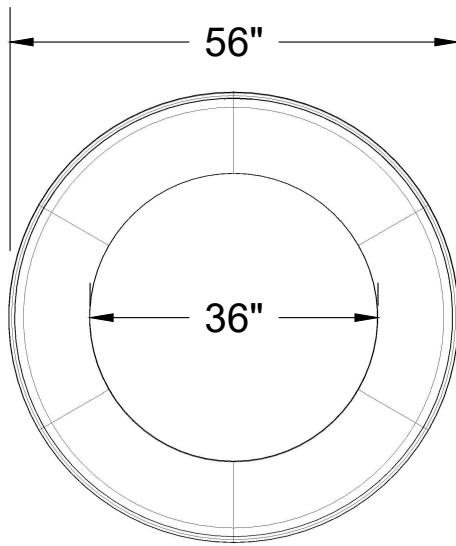
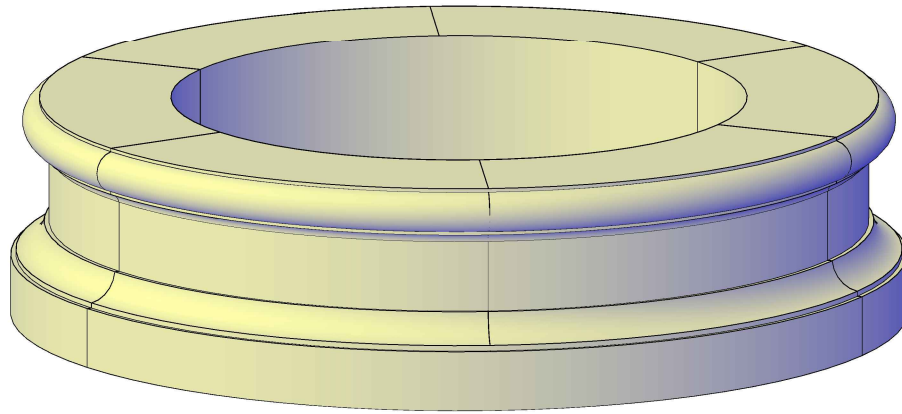
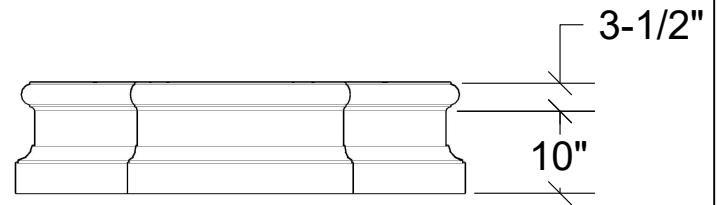


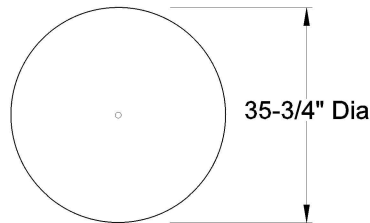
TIBURON Fire Pit - 56 Round Pit Kit



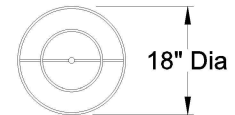
TOP VIEW



SIDE VIEW



**PAN SS 35-3/4" DIA
100 LBS GLASS**



**BURNER SS 18" DIA
BTU: 150,000**

* BLOCK NOT NEEDED

ONLY USE LAVA ROCK OR FIRE GLASS

Product	Dimensions	Weight
FIREPIT - 56	ROUND FIRE PIT KIT 36" (I.D.) 56" (O.D.)	912
6 ST-910-9R.26 BO	26" RADIUS FIRE PIT CAP 9" B x 3-1/2" TH	72
6 BF-1010R.18	18" RADIUS FIRE PIT BASE 10 " B x 10 " TH x 18 - 5/8" L	80