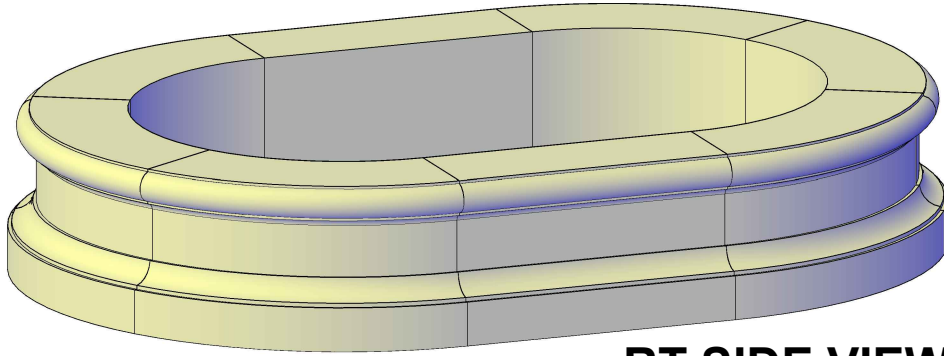
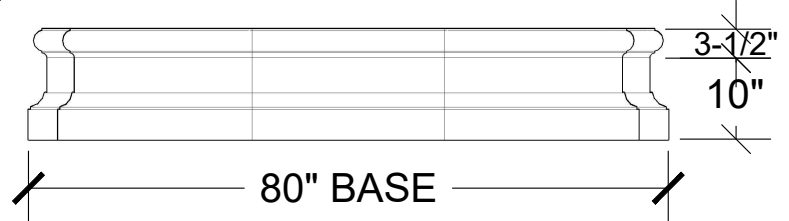


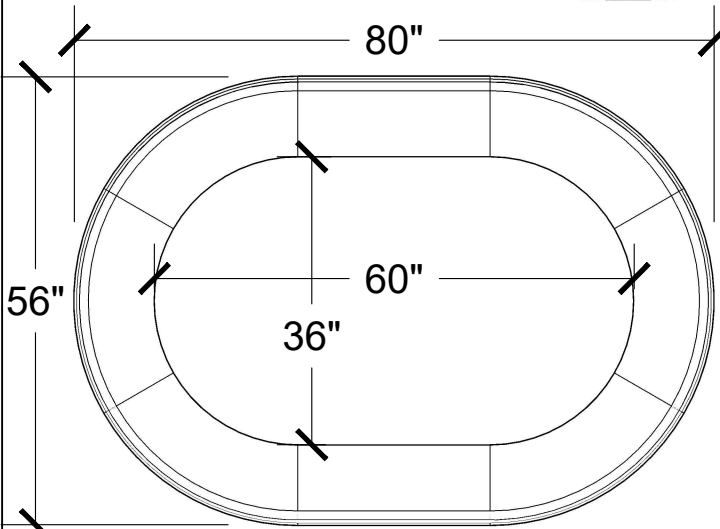
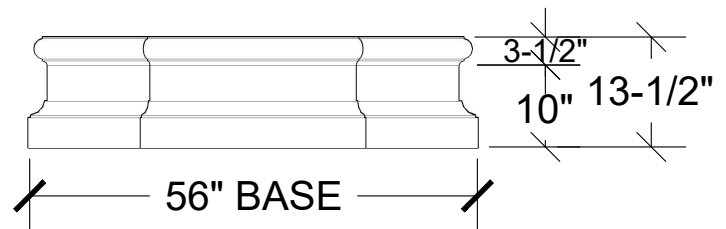
# TIBURON FIREPIT - 80



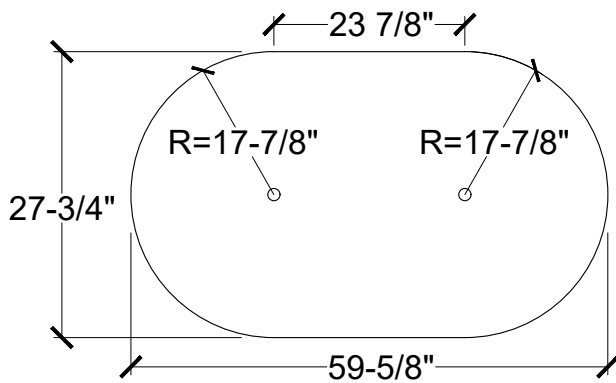
**RT SIDE VIEW**



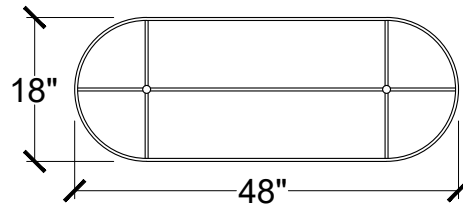
**LT SIDE VIEW**



**TOP VIEW**



**PAN SS 59 5/8" x 27-3/4"**  
**170 LBS GLASS**



**BURNER SS 18" x 48"**  
**BTU 480,000**

\* NO BLOCK REQUIRED

**ONLY USE LAVA ROCK OR FIRE GLASS**

INCLUDES GAS VALVE  
 INSTALL ON 4" SLAB

Product	Dimensions	Weight
	<b>OVAL FIRE PIT KIT 56" x 80" S.Q.</b>	<b>1080</b>
6 BF-1010-R18	BASE RADUIS 18" 10" B x 10" TH	70
2 BF-1010-S	BASE STRIAGHT 10" B x 10" TH x 23 - 7/8" L	70
6 ST-910-9 R26B.O.	CAP RADUIS 26 8 - 1/2" B x 3 - 1/2" TH B.O	65
2 ST-910-9S	CAP STRIAGHT 8 - 1/2" B x 3 - 1/2" TH x 23 - 7/8" L	65