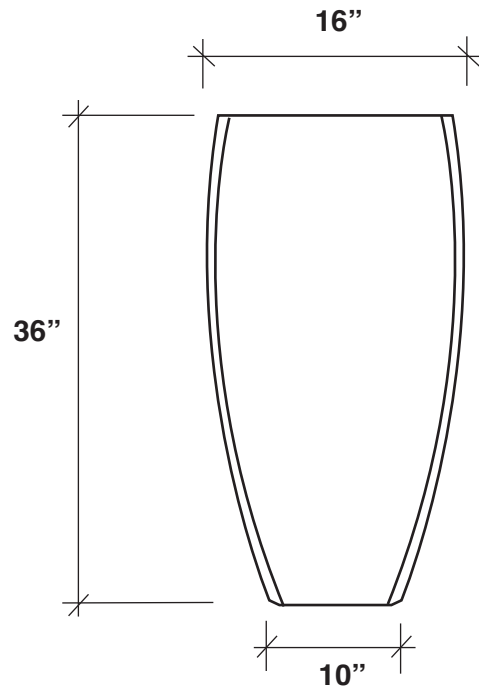


PT-3616



PT-3616

NOTE: INCLUDES WATERPROOFING AND 3" DRAIN HOLE

PART #	DESCRIPTION	WT.
PT-3616	36" H X 16" SQ. (10" BASE)	240 LBS